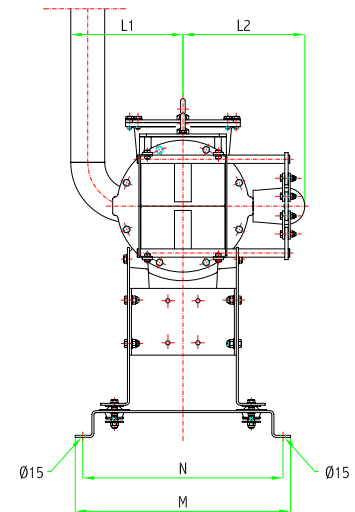
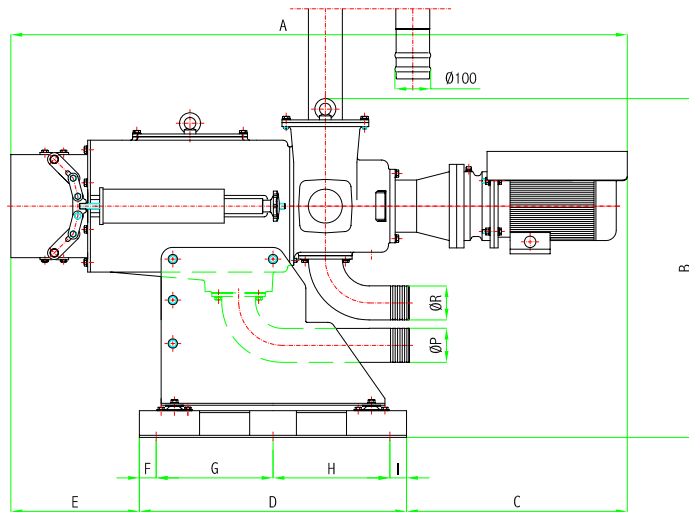


CARATTERISTICHE MOTORI TRIFASI - 50Hz- ALIMENTAZIONE 400 V ± 10%
50 Hz - THREE-PHASES- MOTOR FEATURES - VOLTAGE RATING 400 V ± 10%
CARACTERISTIQUES DES MOTEURS TRIPHASES - 50Hz - ALIMENTATION 400 V ± 10%

CARATTERISTICHE SEPARATORE
CHARACTERISTIC SEPARATOR
CARACTERISTIQUES SEPARATEUR

| SEPARATORE TIPO SEPARATOR TYPE SEPARATEUR TYPE | POTENZA MOTORE MOTOR RATING PUISSANCE MOTEUR [kW] | AVVOLGIMENTI WINDINGS BOBINAGE [V] | ASSORBIMENTO ABSORPTION INTENSITÉ [A (400V)] | AVVIAMENTO | | Giri/min RPM T/min | FORATURA VAGLIO SCREEN MESH DIMENSION MAILLE DE TAMISAGE [mm] | PORTATA CAPACITY DEBIT [m³/h] |
|--|--|---|---|-----------------------------|---|--------------------------|---|--|
| | | | | diretto direct direct | Δ | | | |
| SM 260/25 | 4 | 400 - 690 | 9,7 | Δ | | 33 | 0,25 | 4÷20 |
| SM 260/50 | | | | | | | 0,50 | 8÷25 |
| SM 260/75 | | | | | | | 0,75 | 10÷38 |
| SM 260/100 | | | | | | | 1,00 | 14÷50 |
| SM 300/25 | 5,5 | 400 - 690 | 12 | Δ | | 33 | 0,25 | 6÷29 |
| SM 300/50 | | | | | | | 0,50 | 12÷37 |
| SM 300/75 | | | | | | | 0,75 | 15÷56 |
| SM 300/100 | | | | | | | 1,00 | 19÷72 |

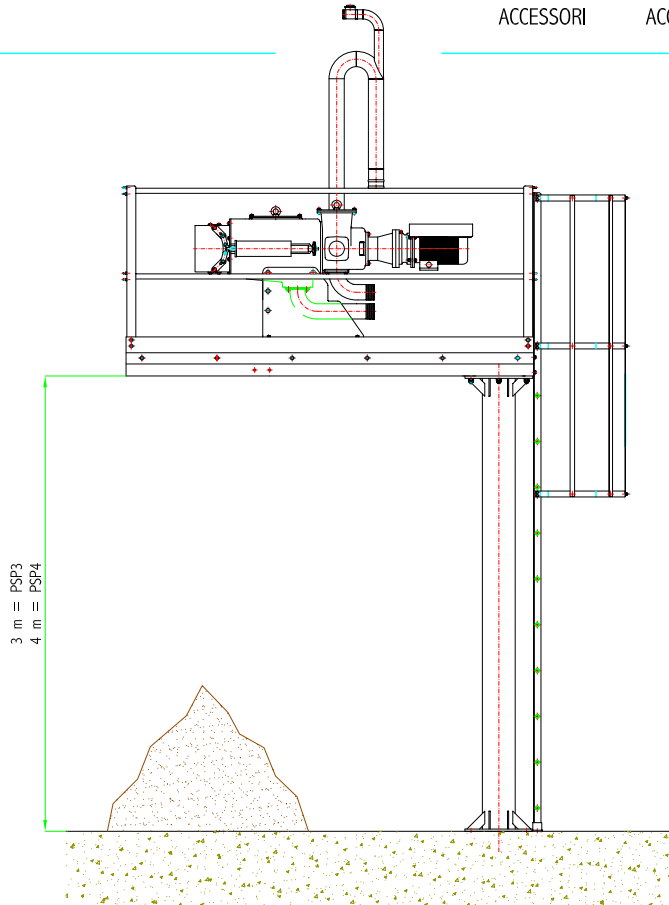


| SEPARATORE TIPO SEPARATOR TYPE SEPARATEUR TYPE | DIMENSIONI INGOMBRO [mm] | | | | | | | | | OVERALL DIMENSIONS [mm] | | | | DIMENSIONS [mm] | | | | PESO WEIGHT POIDS [kg] |
|--|--------------------------|------|-----|-----|-----|----|-----|-----|----|-------------------------|-----|-----|-----|-----------------|-----|-----|--|---------------------------------|
| | A | B | C | D | E | F | G | H | I | L1 | L2 | M | N | ØP | ØR | | | |
| SM 260/25 | 1846 | 1015 | 661 | 800 | 385 | 50 | 350 | 350 | 50 | 336 | 365 | 645 | 600 | 100 | 100 | 390 | | |
| SM 260/50 | | | | | | | | | | | | | | | | 390 | | |
| SM 260/75 | | | | | | | | | | | | | | | | 390 | | |
| SM 260/100 | | | | | | | | | | | | | | | | 390 | | |
| SM 300/25 | 1978 | 1091 | 759 | 800 | 419 | 50 | 350 | 350 | 50 | 359 | 408 | 645 | 600 | 150 | 100 | 465 | | |
| SM 300/50 | | | | | | | | | | | | | | | | 465 | | |
| SM 300/75 | | | | | | | | | | | | | | | | 465 | | |
| SM 300/100 | | | | | | | | | | | | | | | | 465 | | |

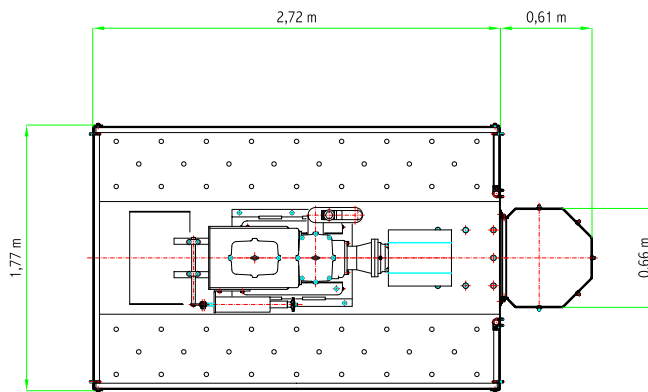
ACCESSORI

ACCESSORIES

ACCESSOIRES



PSP = Installazione su pensilina con pilastro
Platform with pillar installation
Installation sur plate-forme avec pilier



PSM = Installazione su pensilina a muro
Platform for wall installation
Installation sur plate-forme au mur

